

Mini foam gripper

Mini foam gripper MPM

Mini foam gripper MPM



Introduction and application

- ◆ External vacuum generator, alumina material with foam wear resistance
- ◆ Small size, convenient installation and good adsorption stability

Ordering data of mini foam gripper MPM

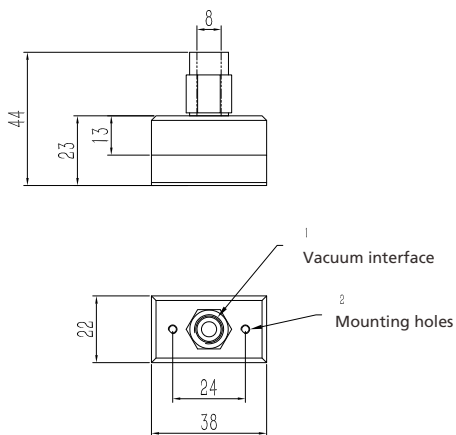
Type	Ordering data
MPM-SW-38 × 22	90.10.01.00053
MPM-SW-76 × 22	90.10.01.00191

Technical parameters of mini foam gripper MPM

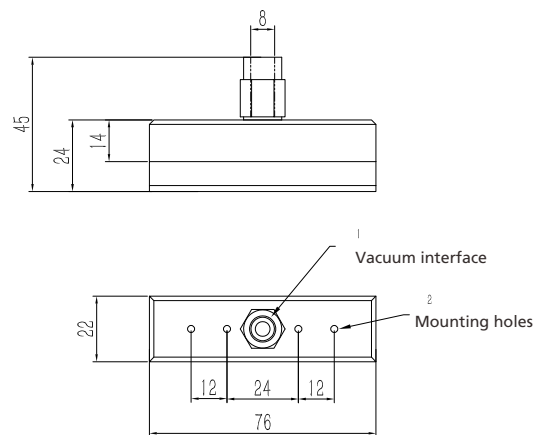
Type	Quantity of suction holes	Suction [N]	Weight [kg]
MPM-SW-38 × 22	11	16	0.03
MPM-SW-76 × 22	26	40	0.06

Design parameters of mini foam gripper MPM

MPM-SW-38 × 22



MPM-SW-76 × 22



Type	Size	1	2
MPM-SW-38 × 22		G1/8	M3
MPM-SW-76 × 22		G1/8	M3